

FIG. 1  
RELATED ART

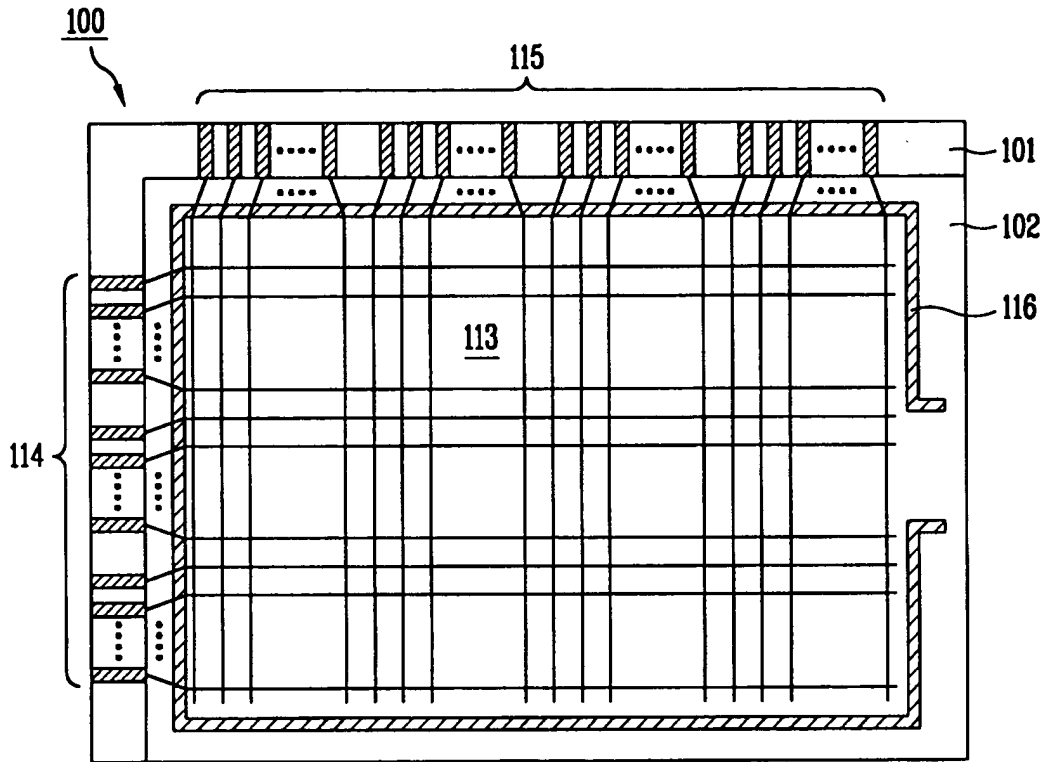


FIG. 2A  
RELATED ART

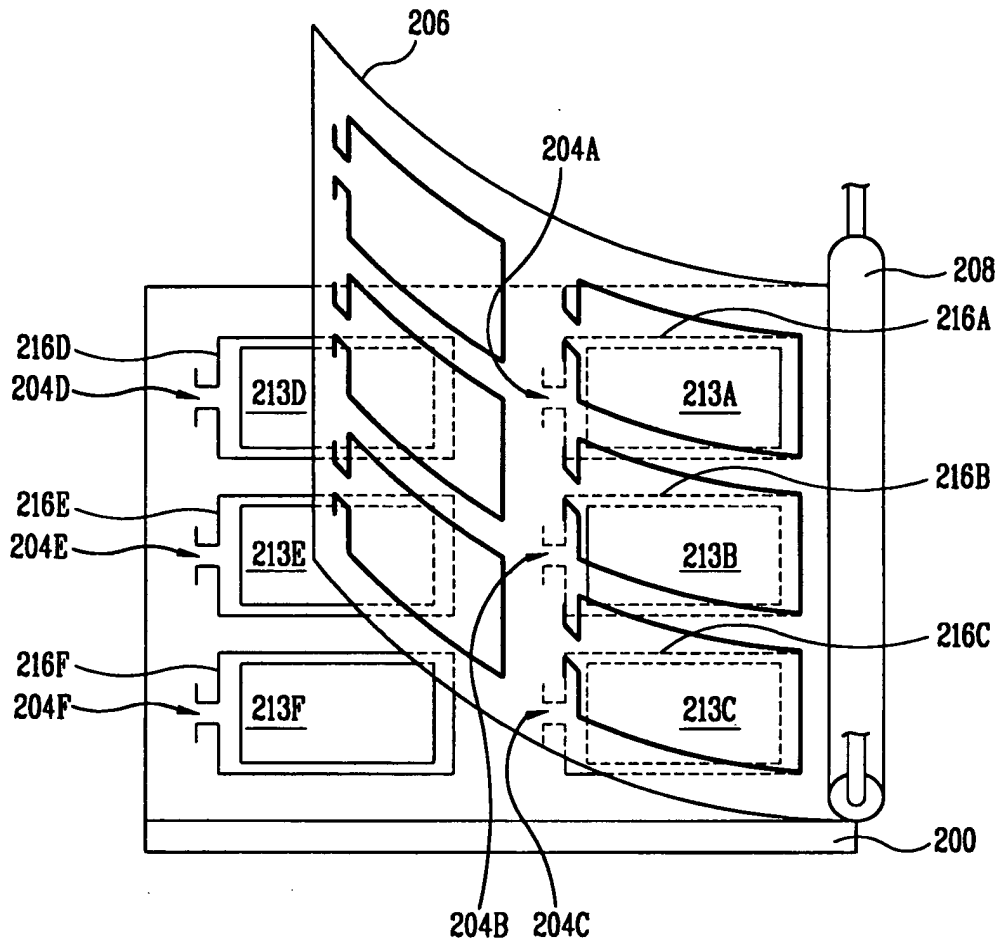


FIG. 2B  
RELATED ART

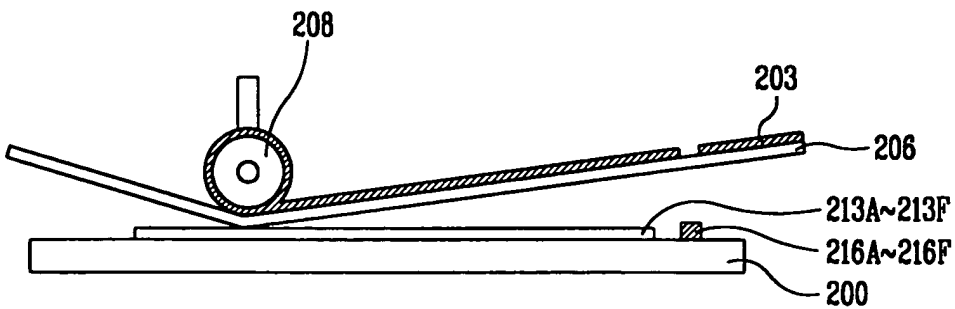


FIG. 3  
RELATED ART

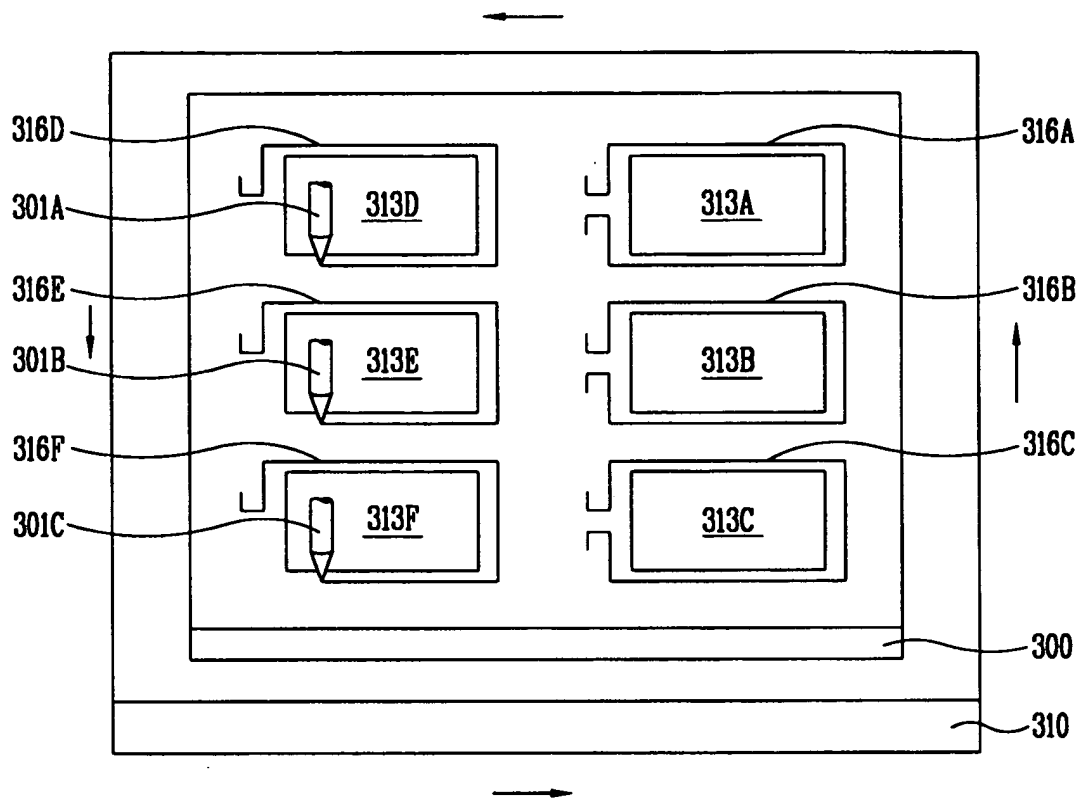


FIG. 4A  
RELATED ART

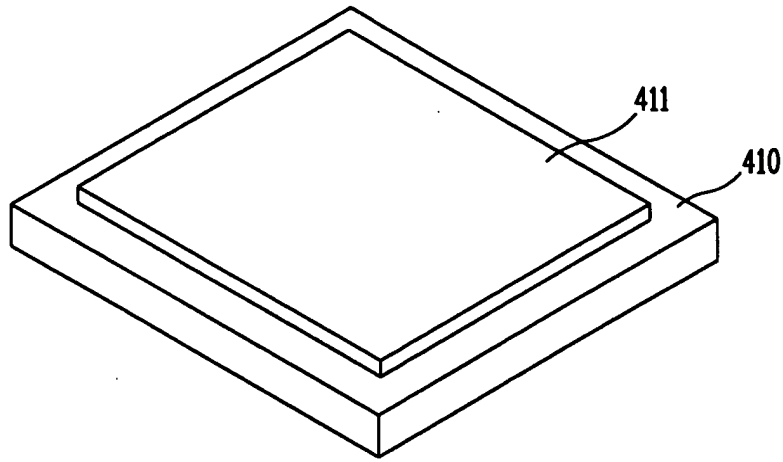


FIG. 4B  
RELATED ART

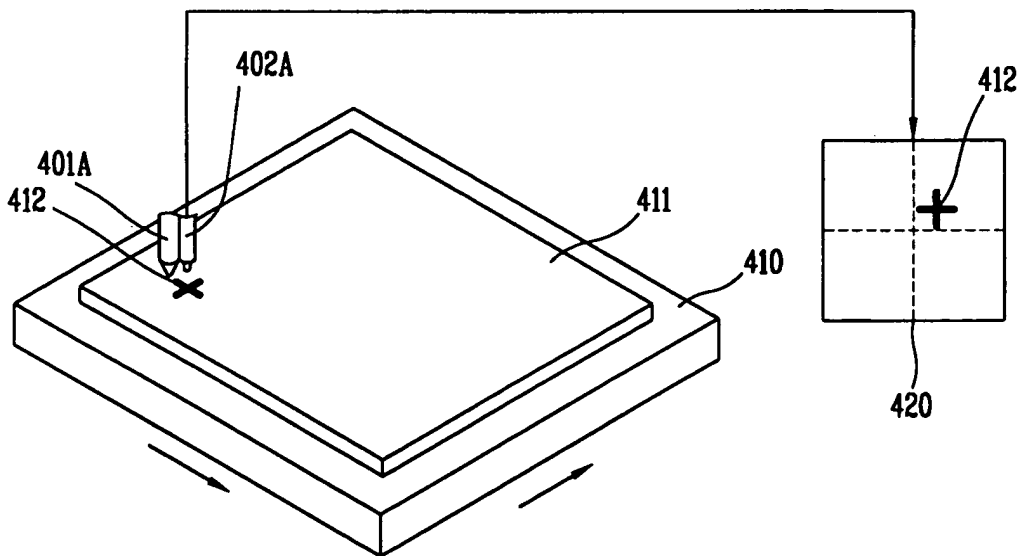


FIG. 4C  
RELATED ART

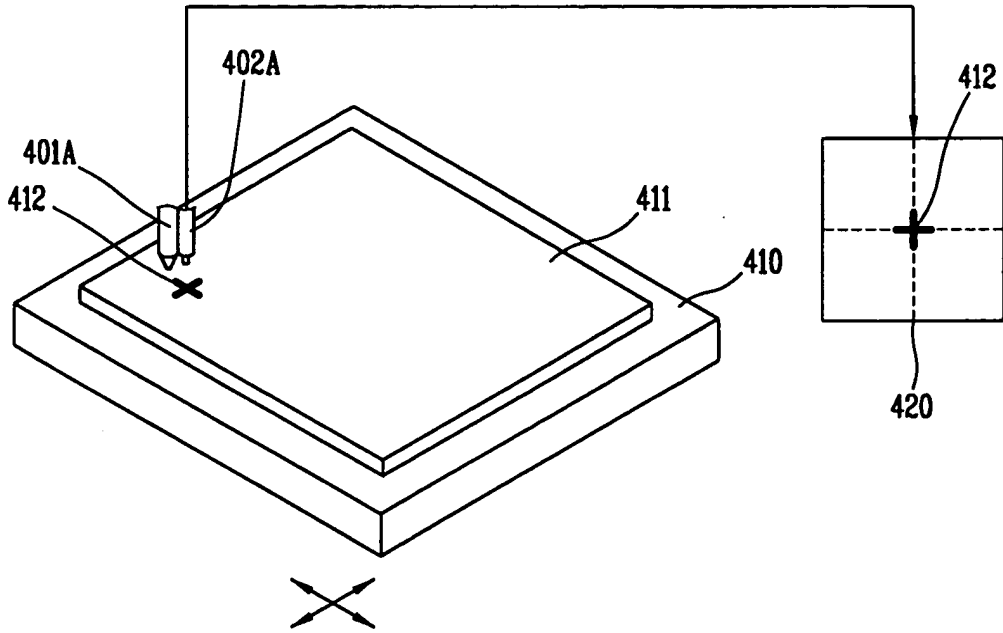


FIG. 4D  
RELATED ART

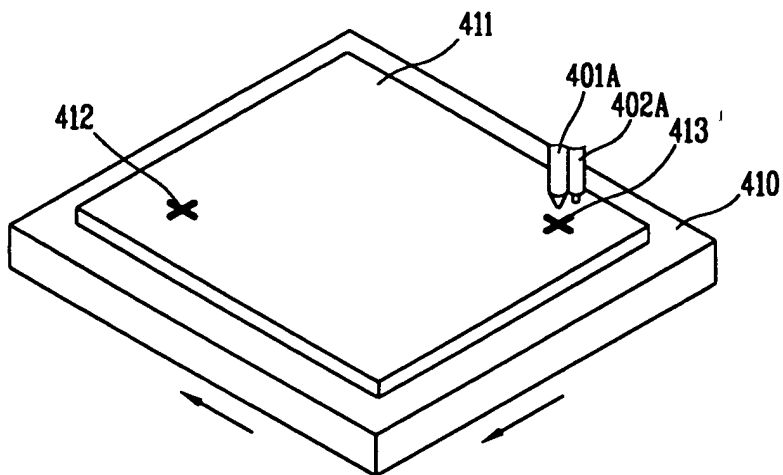


FIG. 4E  
RELATED ART

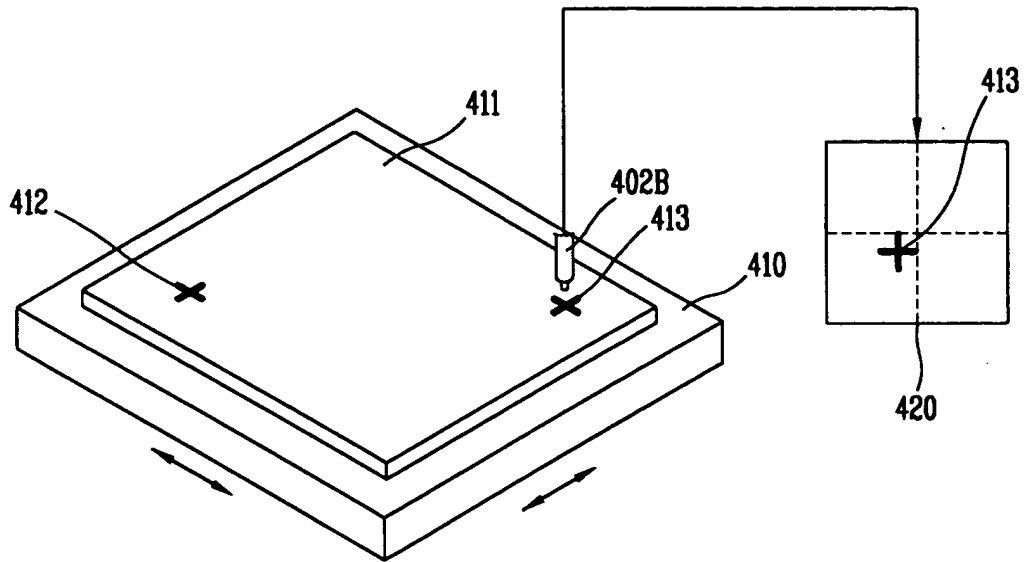


FIG. 4F  
RELATED ART

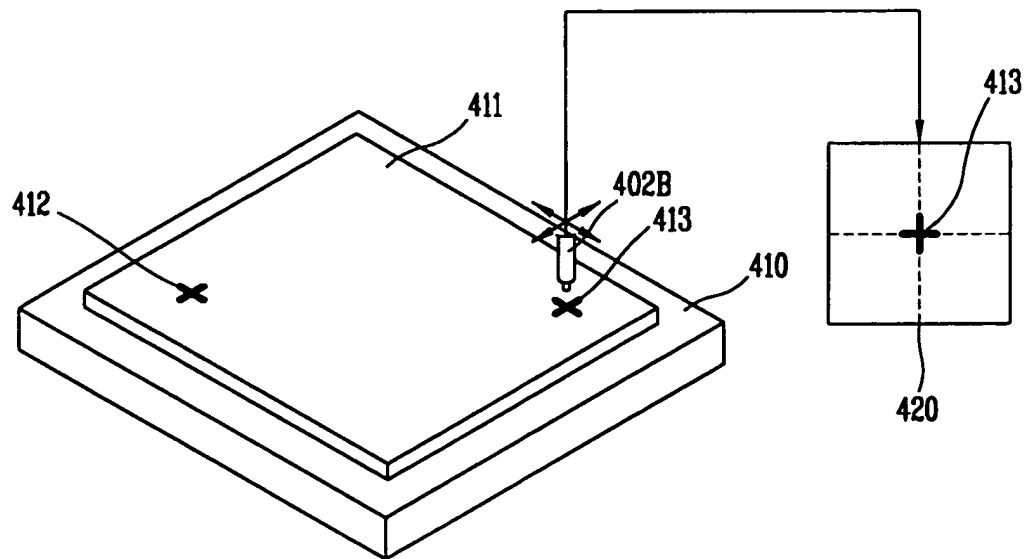


FIG. 5

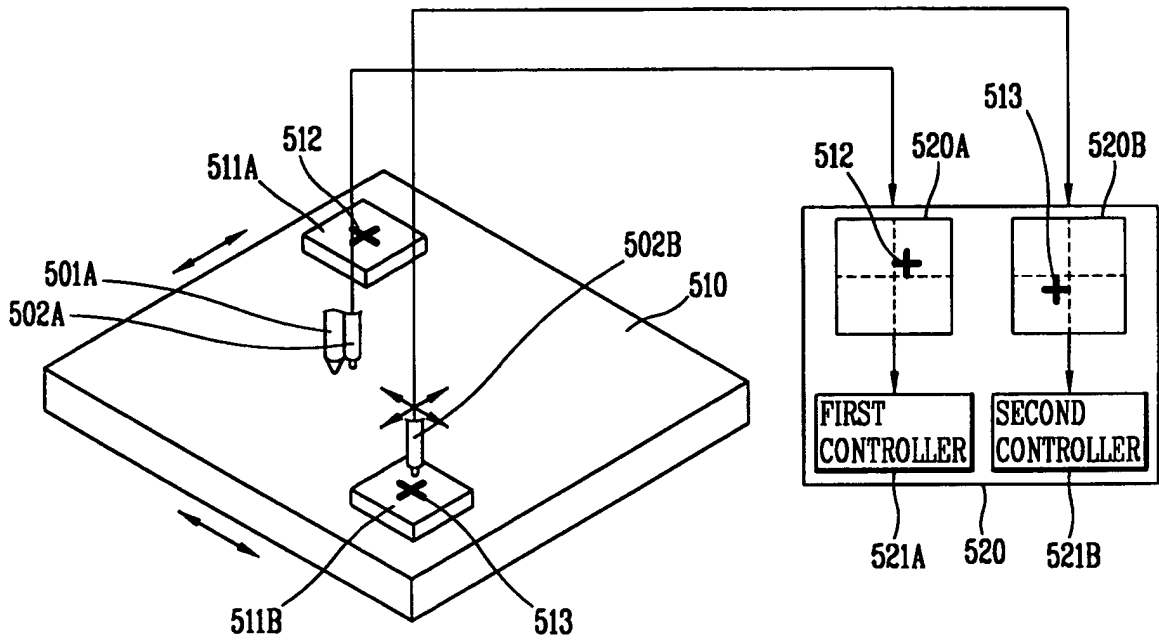


FIG. 6A

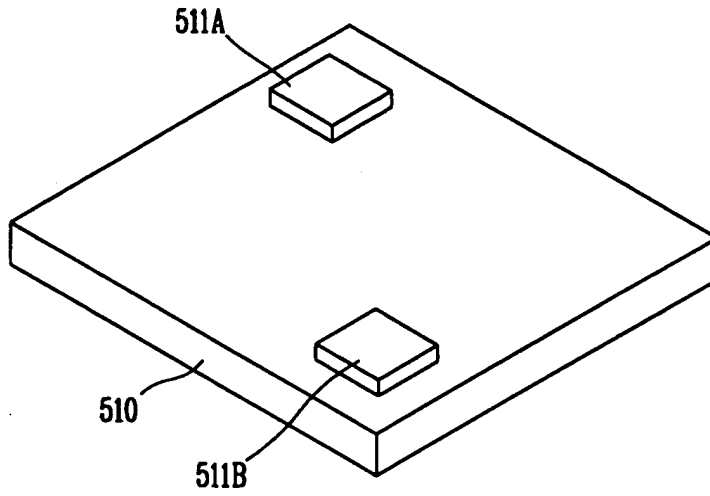


FIG. 6B

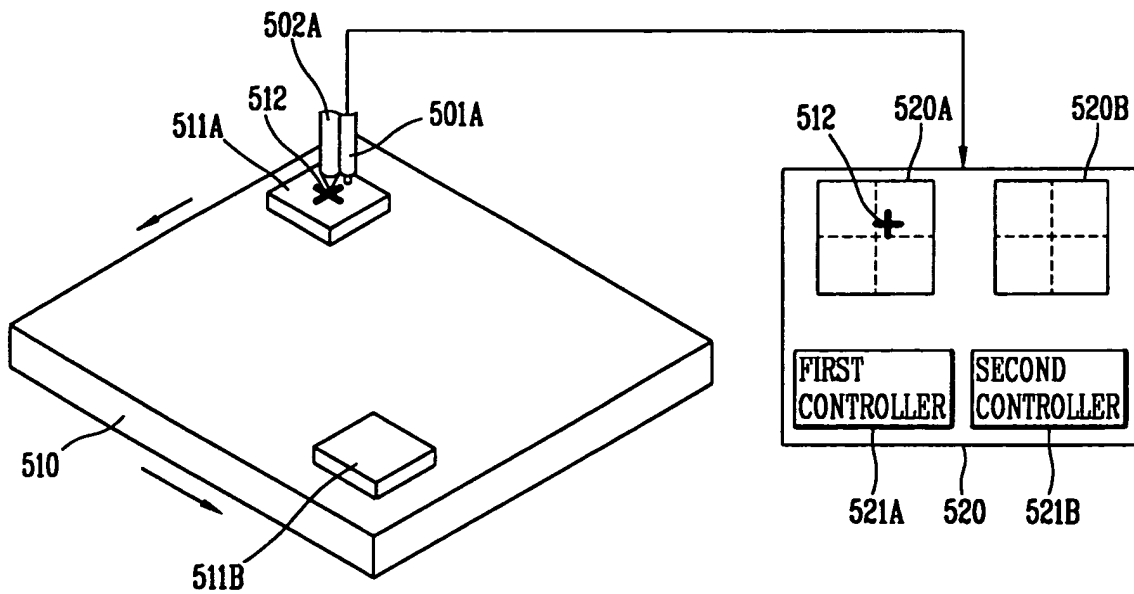




FIG. 6C

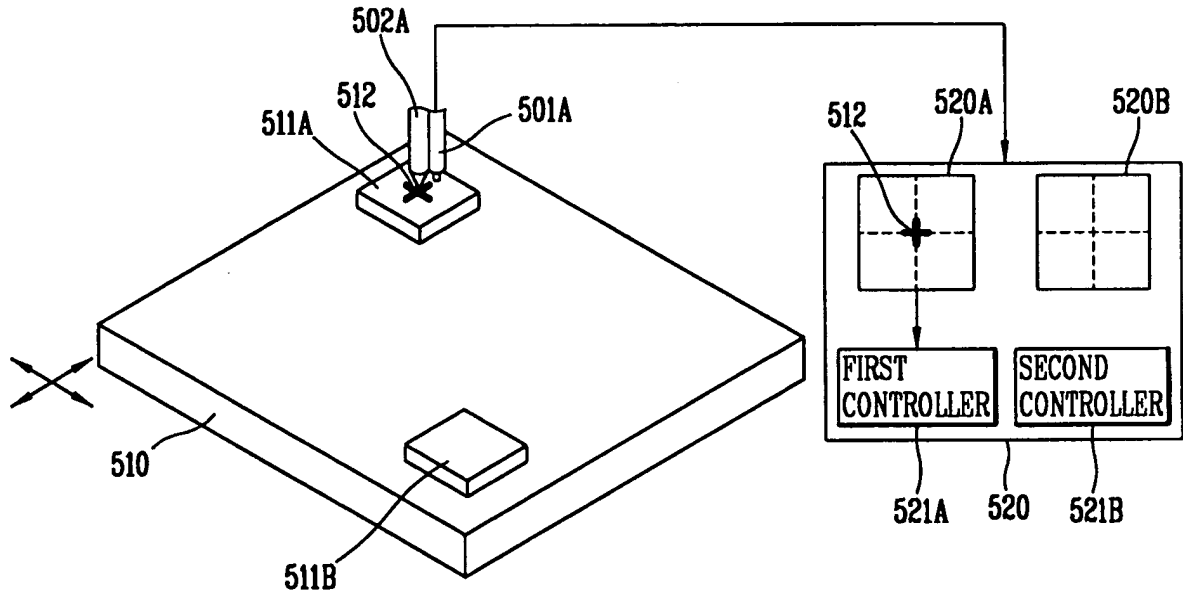


FIG. 6D

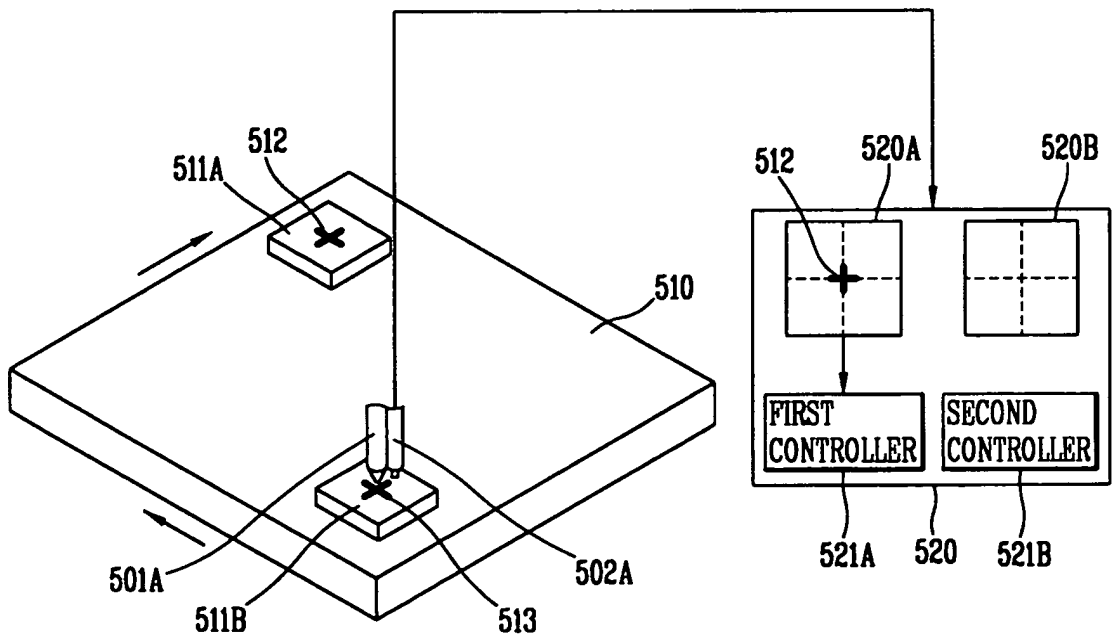


FIG. 6E

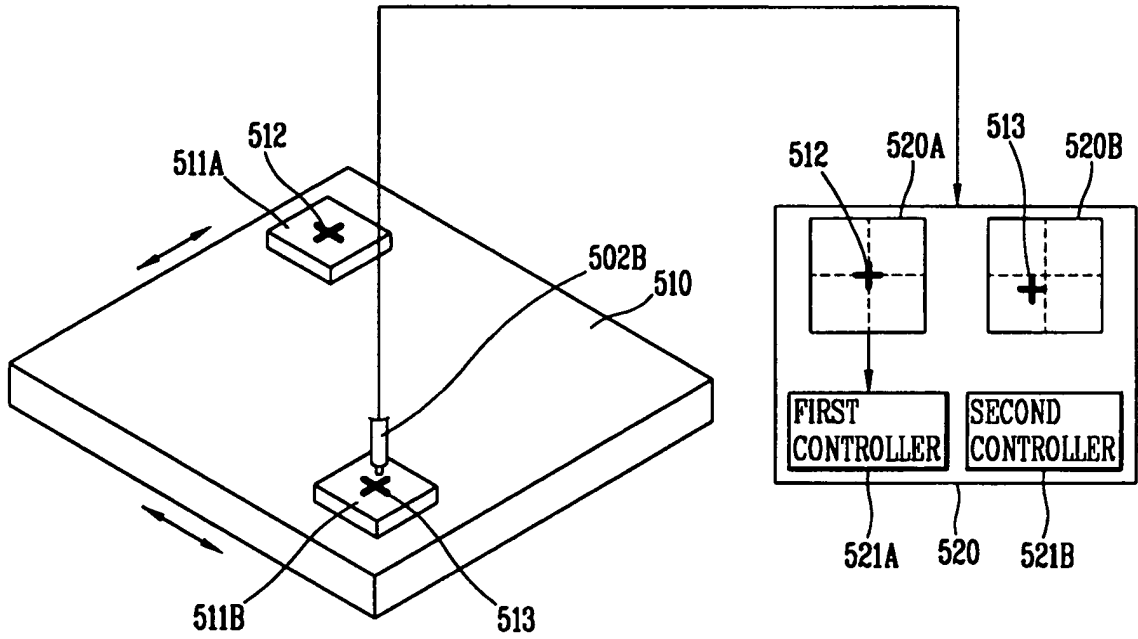


FIG. 6F

